

WV-X8571N

4 x 4K(33MP) iA H.265 Multi-Directional Camera

i-PRO Extreme H.265 Multi-Directional Camera

The WV-X8571N captures the highest quality images in even very challenging and dynamic environments.



- 4 x 4K(33MP) 3840x2160 up to 15fps
- iA (intelligent Auto)
- Super Dynamic 120dB
- Color night vision (0.008 to 0.12 lx)
- H.265 Smart Coding
- ClearSight Coating
- Continuous view assistance
- Wide range tilt angle adjustment mechanism
- Fiber Optic Media Converter Unit (Optional WV-S25F1)
- NDAA Compliant



SPECIFICATIONS

Camera	
Image Sensor	1/1.8 type CMOS image sensor
Minimum Illumination	Color : 0.12 lx, BW : 0.05 lx (50IRE, F1.6, Maximum shutter : Off (1/30s), AGC : 11) Color : 0.008 lx, BW : 0.003 lx (50IRE, F1.6, Maximum shutter : max. 16/30s, AGC : 11)
Intelligent Auto	On / Off
Maximum Shutter	15 fps mode: Max.1/10000s to Max.16/30s 12.5 fps mode: Max.1/10000s to Max.16/25s
Super Dynamic	On / Off, the level can be set in the range of 0 to 31.
Dynamic Range	Max.120 dB typ. (Super Dynamic : On, level : 31)
Image Settings	Gain (AGC), White balance
Image Compensation	Adaptive black stretch, Back light compensation (BLC), High light compensation (HLC), Fog compensation, Digital noise reduction
Color/BW (ICR)	Off / On / Auto1 (Normal) / Auto2 (IR Light) / Auto3 (SCC)
Video Motion Detection (VMD)	On / Off, 4 areas available
Privacy Zone	On / Off, up to 8 zones available
Upside-down	On / Off
Camera Title (OSD)	On / Off, Up to 20 characters (alphanumeric characters, marks)
Adjusting angle	Camera 1, 2, 3: Horizontal (PAN) angle : 360 ° Vertical (TILT) angle : +30 ° to + 80 ° Azimuth (YAW) angle : ±50 ° Camera 4: Horizontal (PAN) angle : 360 ° Vertical (TILT) angle : -15 ° to + 80 ° Azimuth (YAW) angle : ±50 ° *The above is the adjustable range of a single camera. The adjustable range of each camera varies according to the positional relationship with other cameras.

Lens	
Zoom Ratio	1x Optical zoom 3x HD Extra Optical Zoom (when resolution is 1280x720)
Digital (electronic) zoom	Choose from 3 levels of x1, x2, x4
Focal length	4.6 mm {3/16 inches}
Maximum Aperture Ratio	1 : 1.6
Focusing Range	3.0 m {9.84 feet} - ∞
Angular Field of View	Horizontal : 97° Vertical : 53°

DORI	
Detect (25ppm / 8ppf)	67.9 m / 222.9 ft
Observe (62.5ppm / 19ppf)	27.2 m / 89.2 ft
Recognize (125ppm / 38ppf)	13.6 m / 44.6 ft
Identify (250ppm / 76ppf)	6.8 m / 22.3 ft

Browser GUI	
Camera Control	Brightness, AUX On / Off
Audio	Mic (Line) Input : On / Off Volume adjustment : Low / Middle / High
GUI / Setup Menu Language	English, Italian, French, German, Spanish, Portuguese, Russian, Chinese, Japanese

Network	
Network IF	10Base-T / 100Base-TX, RJ45 connector
Resolution	[16:9 mode*] *Cannot be changed. 3840 x 2160 / 2560 x 1440 / 1280 x 720 / 640 x 360 / 320 x 180
H.265/H.264	[Transmission Mode] Constant bit rate / VBR / Frame rate / Best effort [Transmission Type] Unicast port(AUTO) / Unicast port(MANUAL) / Multicast
JPEG	[Image Quality] 10 steps
Smart Coding	GOP (Group of pictures) control : On (Frame rate control)* / On (Advanced)* / On (Mid) / On (Low) / Off *On (Frame rate control) and On (Advanced) are only available with H.265. Auto VIQS : On / Off
Audio Compression	G.726 (ADPCM) : 16 kbps / 32 kbps G.711 : 64 kbps AAC-LC : 64 kbps / 96 kbps / 128 kbps
Supported Protocol	IPv6 : TCP/IP, UDP/IP, HTTP, HTTPS, SSL / TLS, SMTP, DNS, NTP, SNMP, DHCPv6, RTP, MLD, ICMP, ARP, IEEE 802.1X, DiffServ, MQTT, LLDP IPv4 : TCP/IP, UDP/IP, HTTP, HTTPS, SSL / TLS, RTSP, RTP, RTP/RTCP, SMTP, DHCP, DNS, DDNS, NTP, SNMP, UPnP, IGMP, ICMP, ARP, IEEE 802.1X, DiffServ, MQTT, LLDP
Maximum concurrent access number	Up to 24 users (Depends on network conditions)
SDXC/SDHC/SD Memory Card (Option)	H.265 / H.264 recording : Manual REC / Alarm REC (Pre/Post) / Schedule REC Compatible SDXC/SDHC/SD card : i-PRO 32 GB*, 64 GB**, 128 GB**, 256 GB**, 512GB** model *SDHC card, ** SDXC card (except miniSD card and microSD card)
Mobile Terminal Compatibility	iPad / iPhone, Android™ terminals
ONVIF® Profile	G / S

Alarm	
Alarm Source	3 terminals input, VMD alarm, Command alarm
Alarm Actions	SDXC/SDHC/SD memory recording, E-mail notification, HTTP alarm notification, Indication on browser, TCP alarm notification output

Input/Output	
Audio input	ø3.5 mm stereo mini jack (Audio input is stereo) For microphone input : Recommended applicable microphone: Plug-in power type (Sensitivity of microphone : -48 dB±3 dB (0 dB=1 V/Pa, 1 kHz)) Input impedance : Approx. 2 k (unbalanced) Supply voltage : 2.4 V ±0.5 V For line input : Input level : Approx. -10 dBV
External I/O Terminals	ALARM IN 1(Alarm input 1/ Black & white input/ Auto time adjustment input) (x1), ALARM IN 2 (Alarm input 2/ ALARM OUT) (x1), ALARM IN 3 (Alarm input 3/ ALARM OUT/ AUX OUT) (x1)

General	
Safety	UL (UL60950-1), c-UL (CSA C22.2 No.60950-1), CE, IEC60950-1
EMC	FCC (Part15 ClassA), ICES003 ClassA, EN55032 ClassB, EN55024

Power Source and Power Consumption	PoE+ (IEEE802.3at compliant): DC 54V 350 mA, Approx. 20 W(Class4 device) DC12 V 1.2 A, Approx. 15 W
Ambient Operating Temperature	-40 °C to +60 °C {-40 °F to +140 °F} {Power On range : -20 °C to +60 °C (-4 °F to +140 °F)}
Ambient Operating Humidity	10 to 100 % (no condensation)
Dehumidification Device	Rosahl element
Water and Dust Resistance	IP66 (IEC60529), Type 4X (UL50E), NEMA 4X compliant
Shock Resistance	IK10 (IEC62262)
Wind Resistance	Up to 40 m/s {approx. 89 mph}
Dimensions	When using the attachment plate only : ø230 mm x 196 mm (H) {ø9-1/16 inches x 7-23/32 inches (H)}, Dome radius 80 mm {3-5/32 inches}
Mass (Approx.)	When using the attachment plate only : Approx. 2.8 kg {6.17 lbs}
Finish	Main body : Aluminum die cast, i-PRO white, Outer fixing screws : Stainless steel (Corrosion-resistant treatment) Dome cover : Polycarbonate resin (with ClearSight coating), Clear

NOTES

Important

- Safety Precautions : Carefully read the Basic Information, Installation Guide and Operating Instructions before using this product.
- i-PRO Co., Ltd. cannot be held responsible for the performance of the network and/or other manufacturers' products used on the network.
- Masses and dimensions are approximate.
- Specifications are subject to change without notice.

Trademarks and registered trademarks

- iPad and iPhone are trademarks of Apple Inc., registered in the U.S. and other countries. - Android is a trademark of Google LLC.
- ONVIF is a trademark of ONVIF, Inc.
- All other trademarks identified herein are the property of their respective owners

©i-PRO Co., Ltd All rights reserved / November 2022

OPTIONAL ACCESSORIES

Select a compatible accessory

[Accessory Selector \(i-pro.com\)](http://i-pro.com).



WV-QSR502A-W
Mount Bracket



WV-QWL501-W
Mount Bracket



WV-QPL500-W
Mount Bracket



WV-QCN500-W
Mount Bracket



WV-QCL501-W
Mount Bracket



WV-QCL101-W
Mount Bracket



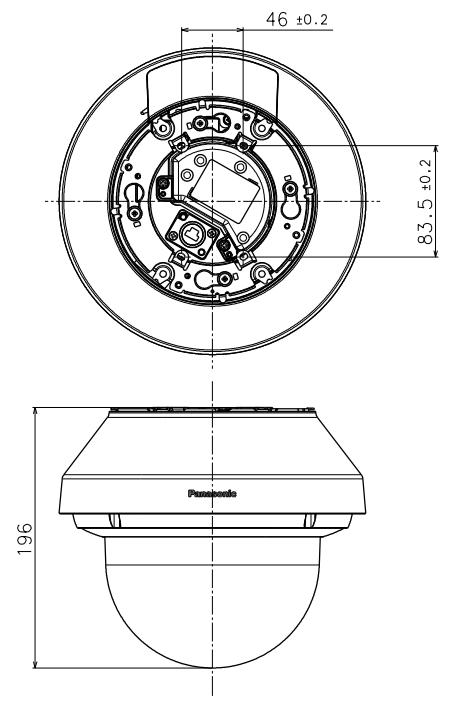
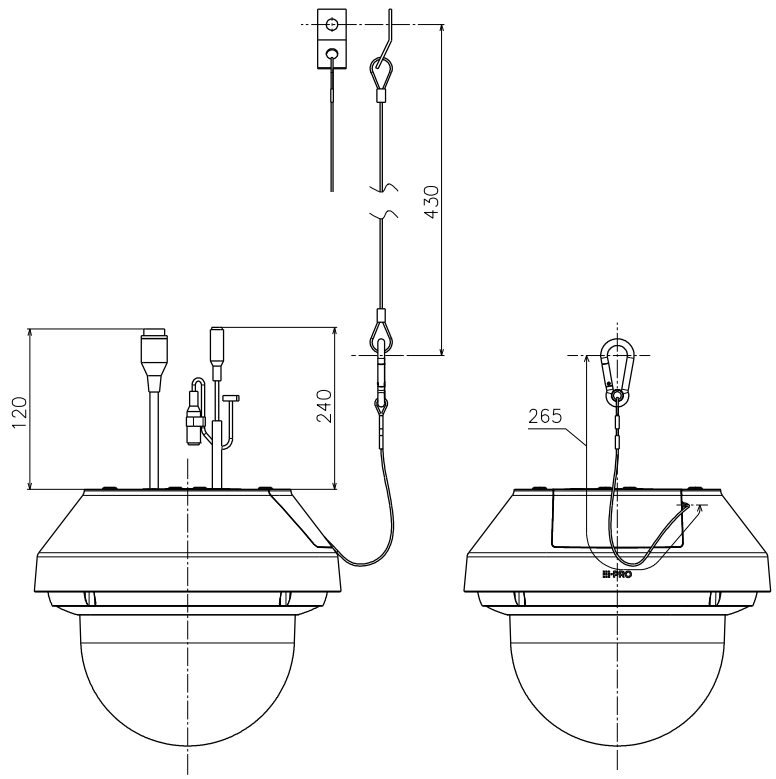
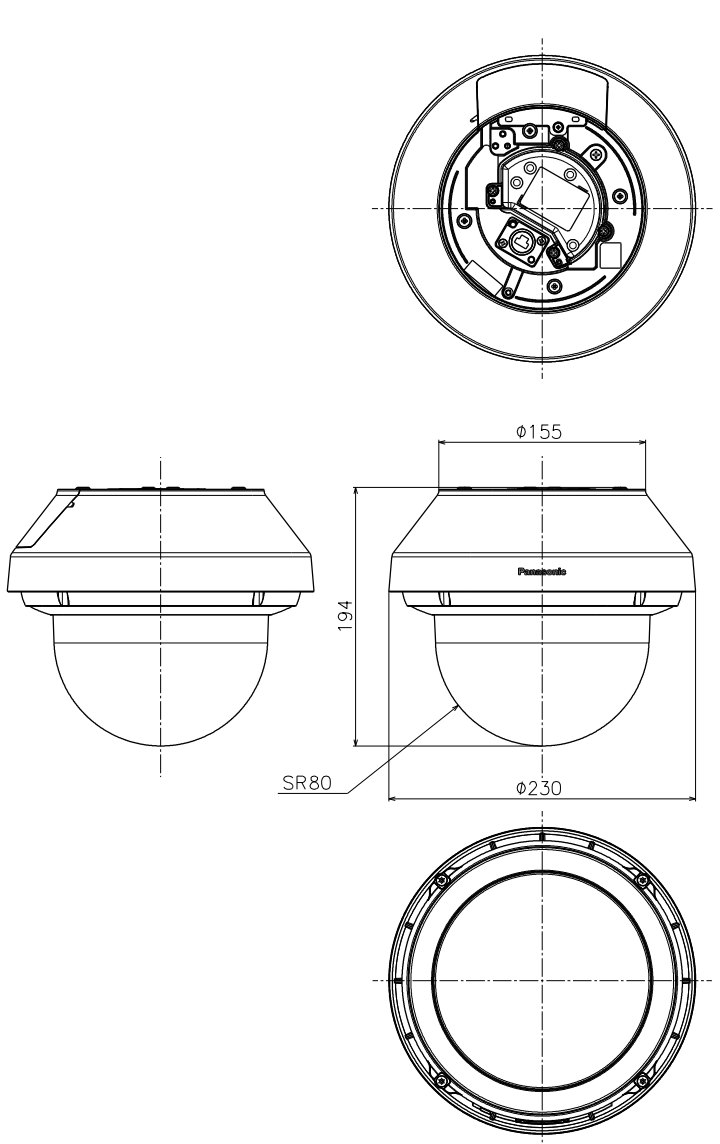
WV-Q105A
Mount Bracket



WV-QJB501-W
Base Bracket



WV-QAT500-W
Attachment pipe



With Attachment Plate

侧面图/Side-view	投影面积/Projected area
	0.032 (m ²)

Weight : Approx. 2.8 kg {6.18 lbs} (When using the attachment plate)

WV-X8571N