

Z952

4MP Outdoor Speed Dome with D/N, Adaptive IR, Superior WDR, SLLS, 25x Zoom Lens



- 4 Megapixel
- Day & Night with Superior Low Light Sensitivity and Adaptive IR LED
- Superior WDR
- Endless Pan & Tilt, PTZ Auto Tracking
- H.265 Compression

► Specifications

Device

Product Type	Speed Dome
Maximum Resolution	4MP
Application Environment	Outdoor
Image Sensor	Progressive Scan CMOS
Sensor Size	1/2.8 "
Effective Pixels	2592(H) X 1944(V) (5.04 MP)
Day / Night	Yes
Low Light Sensitivity	Superior
Minimum Illumination	Color: 0.003 lux at F1.5 (AGC on); B/W: 0 (IR LED on)
Mechanical IR Cut Filter	Yes
IR LED	Adaptive IR LED
IR Working Distance	150m (1.0 lux at tele mode)
Electronic Shutter	1-1/100000 second (manual mode); 1-1/100000 second (auto mode)
S/N Ratio	56 dB

Lens

Focal Length	Zoom, f4.8-120mm
Aperture	F1.5-F3.8
Zoom Ratio	25x optical zoom, unlimited digital zoom (via web browser)
Iris	DC iris
Focus	Auto focus
Horizontal Viewing Angle	55.3° - 3.2°
Vertical Viewing Angle	56° - 2.1°

PTZ

Manual Panning / Tilting Speed	0.1° - 200°/second, 0.1° - 120°/second
Preset Panning / Tilting Speed	240°/second, 200°/second
Panning Range	360° endless
Tilting Range	-15°~90° (with E-flip)
PTZ Control	Remote manual control, 1024 preset points, 16 preset tours
Absolute Position	Yes
Pan, Tilt or Zoom protocol	Pelco-D, Pelco-P

Video

Compression	H.265, H.264, MJPEG
Maximum Frame Rate vs. Resolution	30 fps at 2688 x 1520 30 fps at 2560 x 1440 30 fps at 1920 x 1080 30 fps at 1280 x 720 30 fps at 720 x 576 30 fps at 704 x 288 30 fps at 640 x 360 30 fps at 352 x 288
Multi-Streaming	Simultaneous triple streams
Wide Dynamic Range	Superior WDR (120 dB)
Image Enhancement	White Balance, Backlight compensation (BLC), Defogging
Digital Noise Reduction	2D + 3D DNR
Privacy Mask	24 configurable regions
Built-in Analytics	People Counting, Face Detection, PTZ Auto Tracking, Tampering Detection, Intrusion Detection (Forbidden Area Detection), Object Line Crossing Detection, Object Enter Area Detection, Object Exit Area Detection
Image Orientation	Flip, Mirror, Rotation (Corridor mode)

Audio

Audio Type	2-way, Line-in, Line-out
Audio Compression	G.711 u-law, G.711 A-law

Network

Network Protocol & Service	IPv4, TCP, UDP, DHCP, PPPoE, HTTP, HTTPS, DNS, DDNS, NTP, RTP, RTSP, RTCP, SMTP, FTP, IGMP, ICMP, ARP, UPnP, QoS, SSL/TLS, IEEE 802.1X
Ethernet Port	1 x Ethernet (10/100 Base-T), RJ-45 connector
Security	IP address filtering, HTTPS encryption, Password protected user level, IEEE 802.1X network access control

Event

Event Trigger	Video motion detection, Tampering detection, Sound detection, External device through digital input,
---------------	--

Integration

ONVIF Compliant	Yes, Profile S, Profile G, Profile T
-----------------	--------------------------------------

Interface

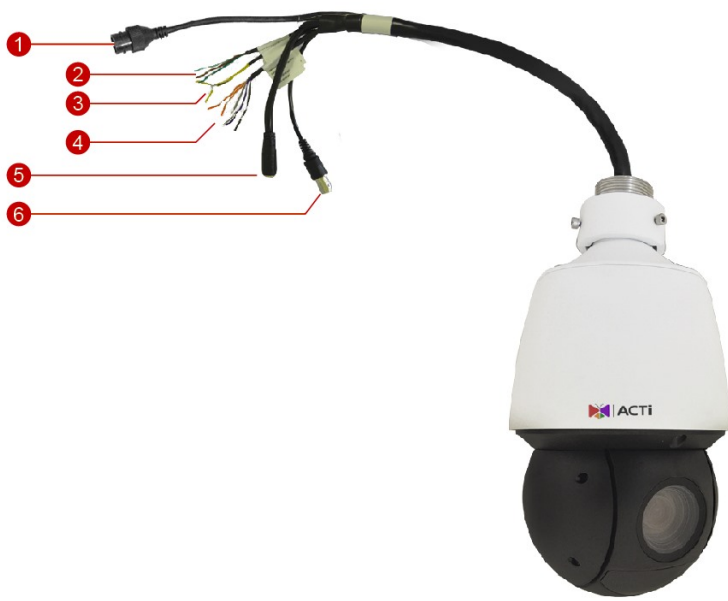
Serial Port	1 x RS-485
Analog Video Output	1 x BNC connector
Local Storage	MicroSD Memory Card Slot (card not included, up to 256GB, Kingston or Sandisk only)
Digital Input/Output	2/1
Operating Button	Reset Button

General

Power Source	DC 12V, High PoE (IEEE802.3at)
Power Consumption	21 W (PoE)
Weight	3050g (6.72lb)
Dimensions	(Ø x H): 166mm x 295mm (6.5" x 11.6")
Environmental Casing	Weatherproof (IP66), Vandal proof (IK10)
Bundled Accessories	Power Adapter
Operating Temperature	-40°C ~ 65°C (-40°F ~ 149°F)
Operating Humidity	≤95% RH
Approvals	CE Class B, FCC Class B, IP66, IK10
Color	White
Real-time Clock (RTC)	Yes
Warranty	2 Year(s). For extended warranty offering, see http://www.acti.com/support/warranty

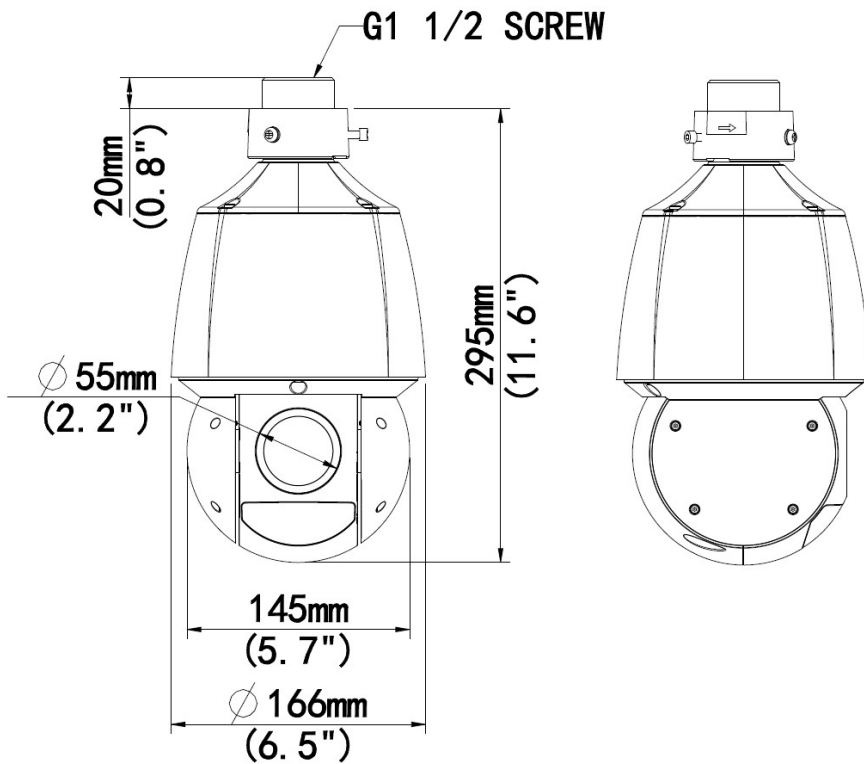
The built-in analytics functions will be compatible with ZNR servers.

► Photo Indication



- 1 Ethernet Port
- 2 Audio Input / Output
- 3 Serial Port
- 4 Digital Input / Output
- 5 DC 12V Power Input
- 6 Analog Video Output

► Dimension Diagram



Unit: mm [inch]



▶ Related Products

Mounting Accessories - Camera Mount

PMAX-0115		Pendant Mount (for A951, Z950, Z952)
PMAX-0116		Straight Tube, 200 mm (for Z950)
PMAX-0117		Straight Tube (for Z950, Z952)
PMAX-0322		Wall mount (for Z950, Z952)
PMAX-0404		Corner Mount (for Z950, Z952)
PMAX-0513		Pole Mount (for Z950, Z952)
PMAX-0711		Junction box (for Z950, Z952)
PMAX-1403		Ceiling Mount (for Z950, Z952)

Note: Some mounting accessories may need additional accessories for installation. Please check www.acti.com/mountingselector for more information.

Power Supply Accessories - PoE Injector

PPOE-0101		High PoE Injector IEEE 802.3at compliant, AC 100~240V, with universal connectors (for A416, A418, B913, B923, B934, Q450, Q75, VMGB-400, VMGB-603, VMGB-604, Z36, Z37, Z71, Z710, Z952)
PPOE-0106		High PoE Injector IEEE 802.3at compliant, AC 100~240V, with universal connectors (for A416, A418, B913, B923, B934, Q450, Q75, VMGB-60X, Z37, Z71, Z952)